

# PARKING HOIST

2 POST - BASE PLATE

*Technical Measurement*

**Model : 2PFP45**

**4.5t | 4500kg**



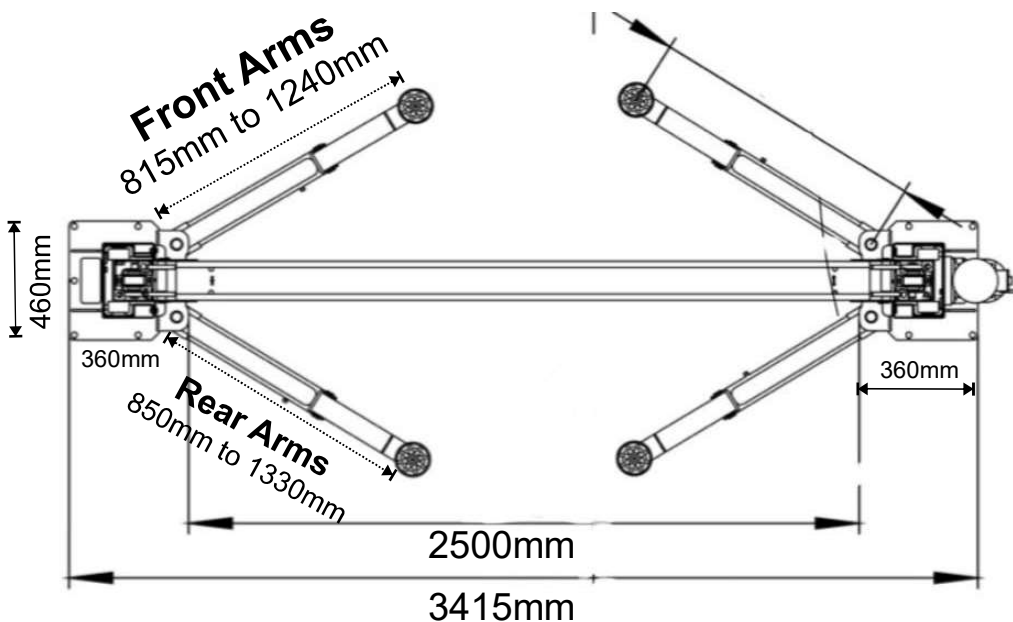
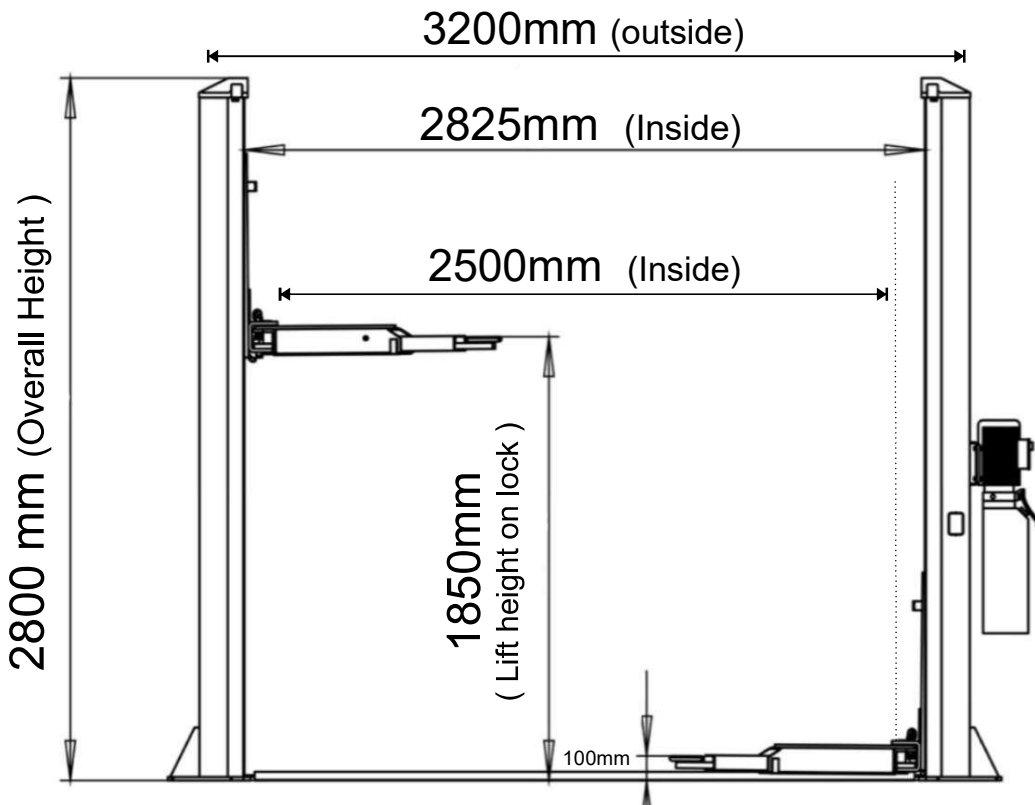
**MOTOREX  
HOIST**

Since 2008



**TRUSTED  
VEHICLE LIFT  
SOLUTION  
PROVIDER**

[ SALES |  
INSTALLATION |  
PARTS & SERVICE ]



[www.motorexhoist.com](http://www.motorexhoist.com)



**NATIONWIDE  
DELIVERY**

