

Portable Middle Rise Scissor Lift

Ideal choice for body shop or low ceiling shop and workshop



**MOTOREX
HOIST**

Since 2008



**READY
STOCK**

CE approved
AA-PS3600



**TRUSTED
VEHICLE LIFT
SOLUTION
PROVIDER**

[SALES |
INSTALLATION |
PARTS & SERVICE]

MOTOREX features

- Flexible lifting arms
- Adopt dual-cylinder structure design
- Stable, reliable & easy maintenance
- Lifting platform equipped with activity wheels and movable hydraulic power unit, flexible & convenient.
- Manual lock devices | Adopt manual safety lock release
- Routine testing with 115% dynamic and 150% static loading



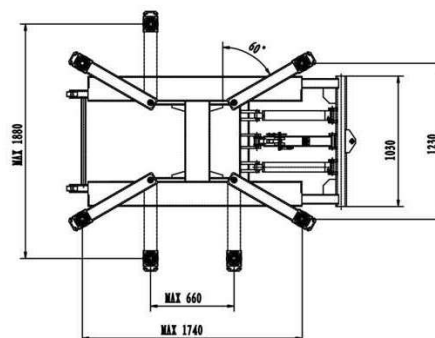
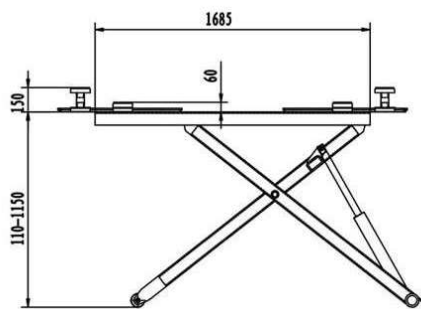
MOTOREX * PRICE *

\$3,000

GST inclusive

Technical Parameters

Lifting capacity	2700 kg(6000 lbs)
Max. Lifting height	1200 mm
Min. height	110 mm
width	1000 mm
Length	1685 mm
Lifting time	30 s
Air pressure	6~8 Mpa
Motor power	2.2 kw
Power supply	110V/220V/380V
Weight	360 kg
Packing size	2300x1050x230 (mm)
Overall size	900x400x500 (mm)



**READY
STOCK**



**NATIONWIDE
DELIVERY**

**NZ
OWNED**
Since 2008

www.motorexhoist.com

CALL: 021-2627162

