

4 POST CE approved AA-PEP-54/3500

Triple Stacker Parking Lift



**MOTOREX
HOIST**

Since 2008



TRUSTED
VEHICLE LIFT
SOLUTION
PROVIDER

[SALES |
INSTALLATION |
PARTS & SERVICE]



Ideal for car collectors or any one who's looking for a parking solution

| COMPACT | HIGH SAFETY | SPACE SAVING DESIGN |



MOTOREX * PRICE *

\$18,000

GST inclusive

**READY
STOCK**



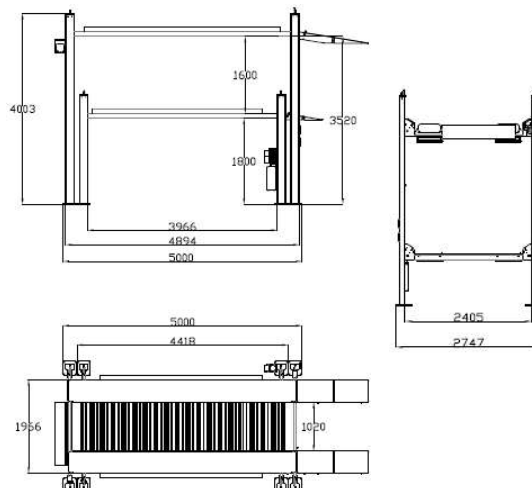
NATIONWIDE
DELIVERY

**NZ
OWNED**
Since 2008

Specifications

Lifting capacity	Bottom Capacity: 3500kg Top Capacity: 2700kg
Net lifting Height	1800/3500 mm
Unit External dimensions	6577 *2682*1001 mm
Platforms Length x Width	Lower : 4198 x 1900 mm & Upper : 4780 x 1900 mm
Runway type	Checkered steel plates
Electric parts	Original Chint
Brand of oil seals in cylinder	Aston , Italy
Lock release type	Electromagnetic lock release
Middle between runways	Galvanized wave plates
Type of ramp	Foldable ramps
Safety Devices	One piece adjustable safety ladder, 1 st lock (Primary) is electromagnetic, automatically locking at every slot interval of the ladder to avoid sudden fall of the platform in case of hydraulic circuit rupture. 2 nd lock (slack) is spring latch mechanism in direct contact with steel rope (cable) and will be activated automatically to lock inside the ladder in case of steel rope rupture
Operation Type	Push buttons on operation box
Power Supply	240 V / 50 Hz 1 Ph
Motor Capacity	2 independent hydraulic power units each is 2.2 Kw.

Dimension



www.motorexhoist.com

CALL: 021-2627162

motorexhoist